

# SU-XL SERIES

SQUARE DRIVE  
WRENCH



A time-tested and proven tool design, square drive ratchets offer a cost-efficient option to handle a wide range of bolting make-up and break-out needs.

The SU-XL Series ratchet is a patented design, which increases accuracy and reduces the number of moving parts.

Our standard SU-XL Series tool capacities range from 100 to 60,000 foot pounds of torque using a 10,000 p.s.i. hydraulic pump.

## SQUARE DRIVE

Sizes from  $\frac{3}{4}$ " to  $2\frac{1}{2}$ " work with all standard-size impact sockets. The square drive shifts from make-up to break-out seamlessly, without having to disassemble the tool.

## UNIBODY

Eliminates "Pinch Points" and reduces side loading. The completely enclosed drive train assembly allows nothing in or out of the tool during operation.

## REACTION MEMBER

All SU-XL series models of 11,000 ft./lbs. or lower are armed with a 360° reversible reaction member that has 48 splines. That gives operators 96 different positions to choose from when looking for proper reaction, increasing safety, and decreasing headaches.

## PISTON ROD

The slotted piston rod always maintains a 90° relationship between itself and the nut. This significantly increases accuracy of the tool while simultaneously reducing the number of moving parts it has inside it.

## PAWL RELEASE

The anti-reverse pawl inside the tool holds rotational wind-up in order to maintain required torque. The anti-reverse pawl mechanism on either side of the tool body allows manual release of the tool if "binding" occurs.

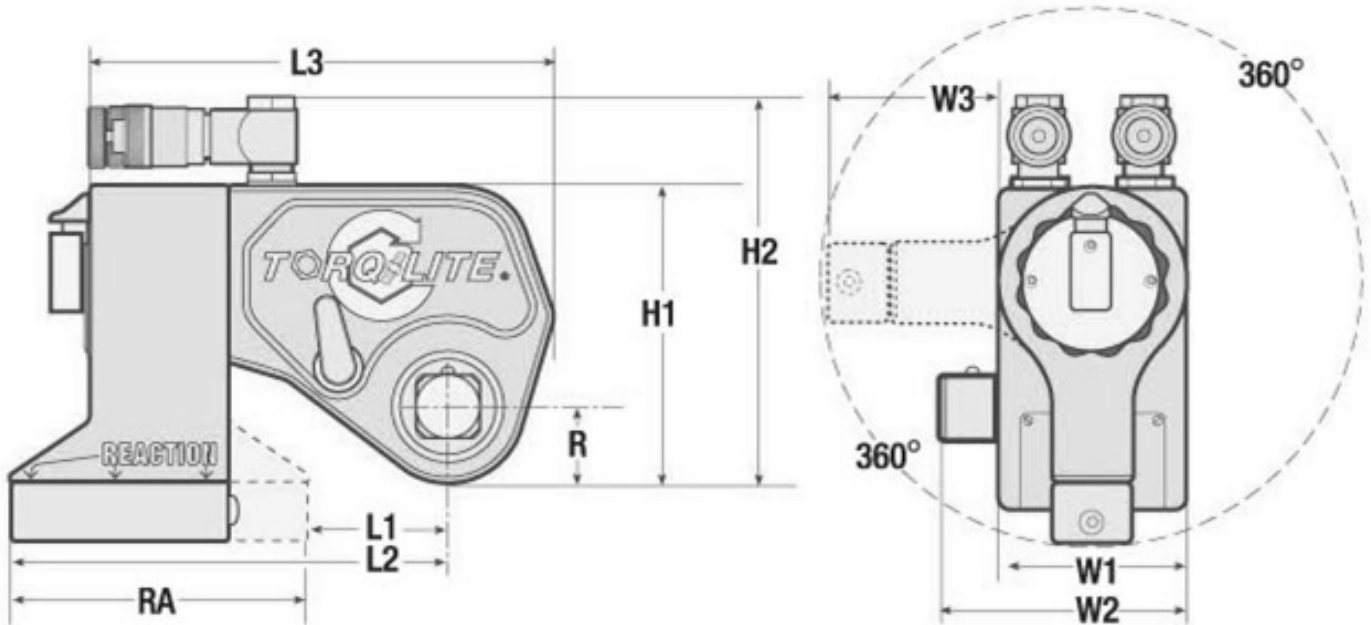
## PATENTED 360° SWIVELS

Allow hose movement without hose binding. Nickel-plated steel quick connects, with fewer moving parts, moving in every direction you might need them to – a great improvement to other swivels in the industry.

## CALIBRATED

Every tool is tested and calibrated to +/- 0.03 accuracy and +/- 0.01 repeatability traceable to N.I.S.T. standards.

# SU-XL SERIES



SU-XL SERIES	SQUARE DRIVE		MIN/MAX FT./LBS. @10,000 PSI	MIN/MAX NM @700 BAR	WEIGHT
SU-1XL	3/4"	19mm	143/1,382	194/1,874	7 lbs.
SU-3XL	1"	25mm	262/2,921	355/3,960	14 lbs.
SU-6XL	1 1/2"	38mm	564/5,110	765/6,928	21 lbs.
SU-8XL	1 1/2"	38mm	848/8,545	1,150/11,585	31 lbs.
SU-11XL	1 1/2"	38mm	1,038/10,793	1,407/14,633	36 lbs.
SU-20XL	2 1/2"	64mm	1,753/17,934	2,377/24,315	75 lbs.
SU-30XL	2 1/2"	64mm	2,638/25,804	3,577/34,986	91 lbs.
SU-45XL	2 1/2"	64mm	4,400/46,631	5,966/63,223	150 lbs.
SU-60XL	2 1/2"	64mm	5,113/54,905	6,932/74,441	296 lbs.

\*Weight includes reaction member and square drive.

SU-XL SERIES	REACTION AREA	L1	L2	RADIUS	H1	H2	W1	W2	W3
SU-1XL	3.685"	1.567"	5.252"	1.200"	4.100"	5.725"	1.980"	2.730"	2.200"
SU-3XL	5.335"	1.865"	7.200"	1.260"	4.990"	6.615"	2.775"	3.600"	3.172"
SU-6XL	5.460"	2.150"	7.610"	1.725"	6.180"	7.800"	3.140"	4.475"	3.501"
SU-8XL	6.500"	2.040"	6.880"	1.800"	6.770"	8.420"	3.900"	5.350"	4.800"
SU-11XL	6.500"	2.245"	8.745"	2.062"	7.664"	9.290"	3.900"	5.350"	4.982"
SU-20XL	7.525"	3.460"	10.375"	3.000"	9.490"	11.115"	4.950"	7.450"	5.557"
SU-30XL	7.525"	3.460"	10.875"	3.125"	10.375"	12.000"	5.875"	8.375"	5.555"
SU-45XL	7.425"	7.337"	12.537"	3.275"	11.225"	12.600"	5.750"	8.250"	5.500"
SU-60XL	8.781"	5.887"	14.668"	3.750"	14.000"	15.600"	7.250"	9.750"	5.750"